

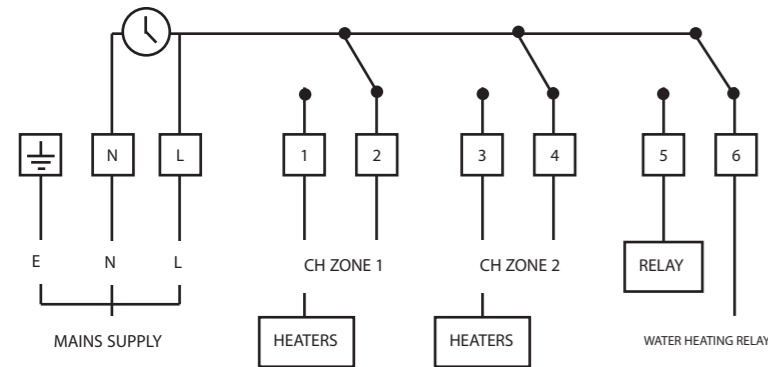
ELECTRICAL CONNECTIONS

All necessary electrical connections should now be made. Flush wiring can enter from the rear through the aperture in the Backplate. Surface wiring can only enter from beneath the programmer and must be securely clamped.

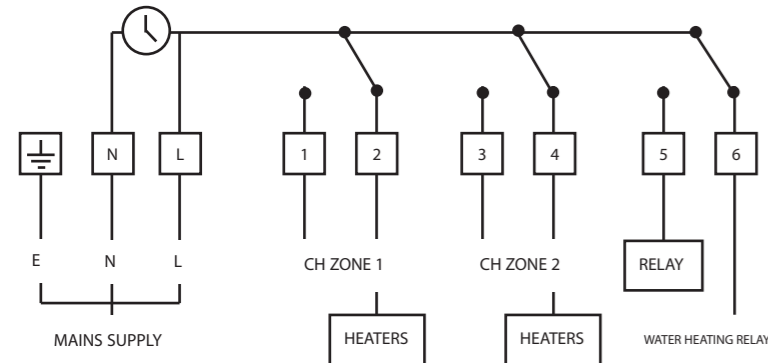
The mains supply terminals are intended to be connected to the supply by means of fixed wiring. The recommended cable sizes are 1.0mm² or 1.5mm².

NOBO Heating 3 zone programmers are double insulated and do not require an earth connection but an Earth terminal is provided on the Backplate for terminating any cable Earth conductors. Earth continuity must be maintained and all bare Earth conductors must be sleeved. Ensure that no conductors are protruding outside the central space by the Backplate.

SERIES 8 AND HOT WATER



TATIC, INNOVA AND ZDC CONTROL + HOT WATER



INITIAL SET-UP

Once the mains power has been switched on the *3 zone display will illuminate. The programmer has a number of pre-programmed functions to assist the installation, which are detailed below;

TIME AND DATE- The programmer has been pre-set with the current time and date during manufacture. No alteration should be required to the time and date, however if any modification is required please refer to the 'Adjusting Time and Date' section of the user guide.

PROGRAMME TIMES – The programmer has been pre-set with default heating and hot water times, these can be altered to meet the user's requirements, please refer to the 'Setting the Programming Times' section of the user guide.

PLEASE ENSURE THAT THE USER GUIDE IS HANDED OVER TO THE END USER.

GENERAL INFORMATION

BATTERY

The programmer is fitted with a non-rechargeable, non-serviceable long life battery, which will maintain the clock and programmed time settings with the mains supply disconnected.

THIS RESERVE SHOULD BE SUFFICIENT TO COVER POWER INTERRUPTIONS DURING THE LIFE OF THE UNIT.

During power interruptions the display will be blank.

SERVICE AND REPAIR

This programmer is NOT user serviceable. Please do not dismantle the unit. In the unlikely event of a fault developing please refer to the RESETTING THE PROGRAMMER section of this user guide located on page 5. If this fails to resolve the problem please contact a qualified electrician.

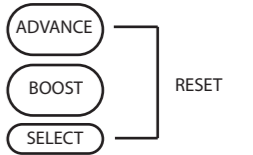
RESETTING THE 3 ZONE

Electronic equipment can in some circumstances be affected by electrical interference. If the display becomes frozen or scrambled; or if you wish to revert back to the default settings please use the following procedure.

RESET PROCEDURE

Please note; Using this procedure will restore the 3 zone to the original factory programme settings, the time setting will also default to 1st January 2005 – See the Adjusting Time and Date section on this page.

Lower the front flap of the unit. On third Channel press the ADVANCE (Enter) and SELECT (Blue) buttons together then release the buttons and the programmer will return to the preset factory settings.



SPECIFICATION

Contact type: Micro dis-connection

Contact rating: 3(1)AMPS 230-240V AC

Power supply: 230-240V AC 50 Hz

Operating Temperature range: 0°C to 40°C

Double insulated.

Dirt protection: Normal situations.

Enclosure protection: IP30

Purpose of control: Electronic time switch

Independently mounted control for surface mounting.

Operating time limitation: Continuous

Battery Type: Lithium

Case material: Thermoplastic, flame retardant

Dimensions: 163mm x 101mm x 33mm

Display: Fully graphical LCD, back-lit

Clock: 24 hour/12 hour AM/PM

Display time adjustment: 1 minute steps

Switched time adjustment: 10 minutes steps

Programme selection: Auto, On all day, On constant, Off, Holiday

Operating periods per day: Three for Heating 1, Heating 2 and Water (separate daily programme for each Channel)

Overrides: Boost, 1 or 2 Hours

Extension to ON period, 1 Hour or 2 Hour

Instant Advance

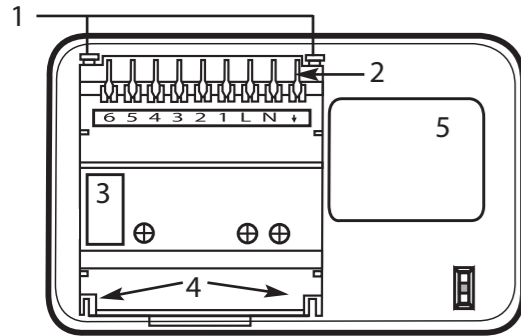
Backplate: 9 Pin terminal connection

COMMISSIONING THE PROGRAMMER

Ensure all dust and debris has been cleared away from the work area before removing the programmer from its packaging.

All 3 zone controls are fitted with battery reserve which maintains programmed times in the event of a mains power failure.

REAR OF 3 ZONE PROGRAMMER



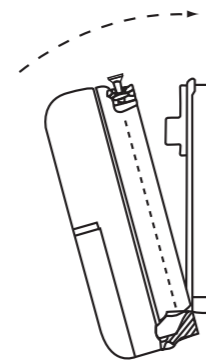
- 1 RETAINING SCREWS
- 2 CONNECTOR BLADES
- 3 PRODUCTION DATE LABEL
- 4 POSITIONING PLUGS
- 5 RATINGS LABEL

FITTING THE PROGRAMMER

If surface wiring has been used, remove the knockout/insert from the bottom of the programmer to accommodate it. Loosen the two 'captive' retaining screws on the top of the unit. Now fit the programmer to the Backplate, line the lugs on the programmer with the flanges on the Backplate.

Swing the top of the programmer into position ensuring that the connection blades on the back of the unit locate into the terminal slots in the backplate.

Tighten the two 'captive' retaining screws to fix the unit securely, and then switch on the mains supply.



END VIEW OF 3 ZONE PROGRAMMER

NOBO Heating UK Limited

Head Office:

Unit 15, Gravelly Industrial Park
Tyburn Road, Erdington
Birmingham B24 8HZ
Telephone: 0121 328 5671
Facsimile: 0121 327 8580

E-mail: info@noboheatinguk.com
Website: www.noboheatinguk.com

Regional Offices:

London & South East
South West
North West
Midlands
Scotland & North East

Regional contact details are available
online at www.noboheatinguk.com
or Telephone: 0121 328 5671



NOBO HEATING 3 ZONE PROGRAMMER

3 ZONE INSTALLATION INSTRUCTIONS

Each channel offers up to three programmed operating periods per day, seven days a week, with three independent Boost and Advance control. This model offers a fully graphical, back-lit display combined with simple menu driven programming.

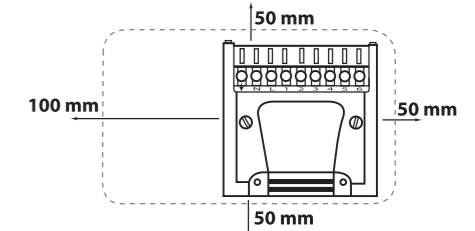
It is also a suitable direct replacement for existing 3 zone programmers, utilising existing wiring and backplate connections.

INSTALLATION AND CONNECTION SHOULD ONLY BE CARRIED OUT BY A SUITABLE QUALIFIED PERSON AND IN ACCORDANCE WITH THE CURRENT EDITION OF THE IEE WIRING REGULATIONS.
WARNING: ISOLATE MAINS SUPPLY BEFORE COMMENCING INSTALLATION

FITTING THE BACKPLATE

Once the Backplate has been removed from the packaging please ensure the programmer is re-sealed to prevent damage from dust, debris, etc.

The Backplate should be fitted with the wiring terminals located at the top and in a position which allows the relevant clearances around the programmer. (See diagram)



DIRECT WALL MOUNTING

Offer the plate to the wall in the position where the programmer is to be mounted, remembering that the Backplate fits to the right hand end of the programmer.

Mark the fixing positions through the slots in the Backplate (Fixing centre 60.3mm), drill and plug the wall, then secure the plate in position. The slots in the Backplate will compensate for any misalignment of the fixings.

WIRING BOX MOUNTING

The Backplate may be fitted directly on to a single gang steel flush wiring box complying with BS4662, using two M3.5 screws.

3 zone programmers are suitable for mounting on a flat surface only, they must not be positioned on a surface mounted wall box or unearthed metal surfaces.