

# OPERATING INSTRUCTIONS FOR 'T10' CONTROL

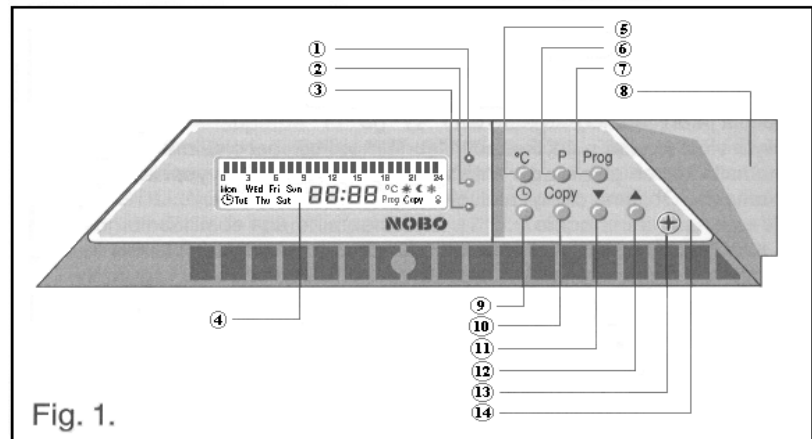
CONTROL UNIT type R80 **UDF** designed for use with Nobo Panel heaters using Series 8 controls.

## T10

Timer control module. **221**

### KEY to Fig. 1.

- 1 – Red Comfort mode indicator light.
- 2 – Amber operating indicator light.
- 3 – Green Economy mode indicator light.
- 4 – LCD Display panel.
- 5 – Selector for Temperature settings.
- 6 – Programme Selector.
- 7 – Programming.
- 8 – On / Off switch. 1 = On, 0 = Off.
- 9 – Selector for settings Day Hour and Minutes.
- 10 – Selector for copying Programme settings.
- 11 – Adjustment downwards (reduce).
- 12 – Adjustment upwards (increase).
- 13 – Screw for tamperproofing cover.
- 14 – Transparent cover.



### OPERATING INSTRUCTIONS

Switch the heater on and wait for approximately 5 minutes while the electronics warm up and batteries charge.

Set the time using (9), (11) and (12) to make adjustments. Set the temperature using (5), (11) and (12) to make adjustments, both comfort and economy levels should be set. The comfort setting cannot be reduced unless the economy setting is more than 4° lower. Select programme using (6), (11) and (12) to make adjustments, the UP (user programme) or one of nine pre-set programmes. ie. P1 – P9 may be chosen. Or one of three continuous modes may be selected ie. CF (frost), CE (economy) or CC (comfort). If 'UP' user programme mode is chosen, use (7), (11) and (12) to set required programme for each day, use (9) to move between days and When the economy setting is active the green indicator will glow, when the comfort setting is active the red indicator will glow, use (10) to copy programmes between days.

The action of the timer will switch the heater operation between economy and comfort setting at the appropriate programme times. When the economy setting is active the green indicator will glow, when the comfort setting is active the red indicator will glow, when the thermostat calls for heat the amber indicator will also glow. When one of the constant modes is selected the heater will remain continuously in that mode until an alternative is selected. You can move freely between any of the programmes or modes at any time and come back later without the settings being changed.

### DESCRIPTION OF PROGRAMMES

(W=weekdays, SA=Saturday, SU=Sunday)

- P1: Heat during the afternoon and evening.  
P2: Heat during the morning, afternoon and evening.  
P3: Heat during the morning, afternoon and evening.  
P4: Staying Home.  
P5: Continental Lunch Programme.  
P6: Short Office programme.  
P7: Long Office programme.  
P8: Alternative Office programme.  
P9: Bedroom programme.  
CF: Continuous Frost Protection programme.  
CE: Continuous Economy programme.  
CC: Continuous Comfort programme.  
UP: User programme.

### MEMORY BACKUP

If the heater is switched Off or there is an interruption in the power supply the electronic memory will retain the time setting for upto 24 hours after which it will be necessary to restart the timer.

### CLEANING

The heater may be tilted forwards on its mounting bracket for cleaning with a damp cloth and mild detergent, and for decorating behind the heater. Pressing the clips downward at the back of the heater will release the heater from the mounting bracket.

